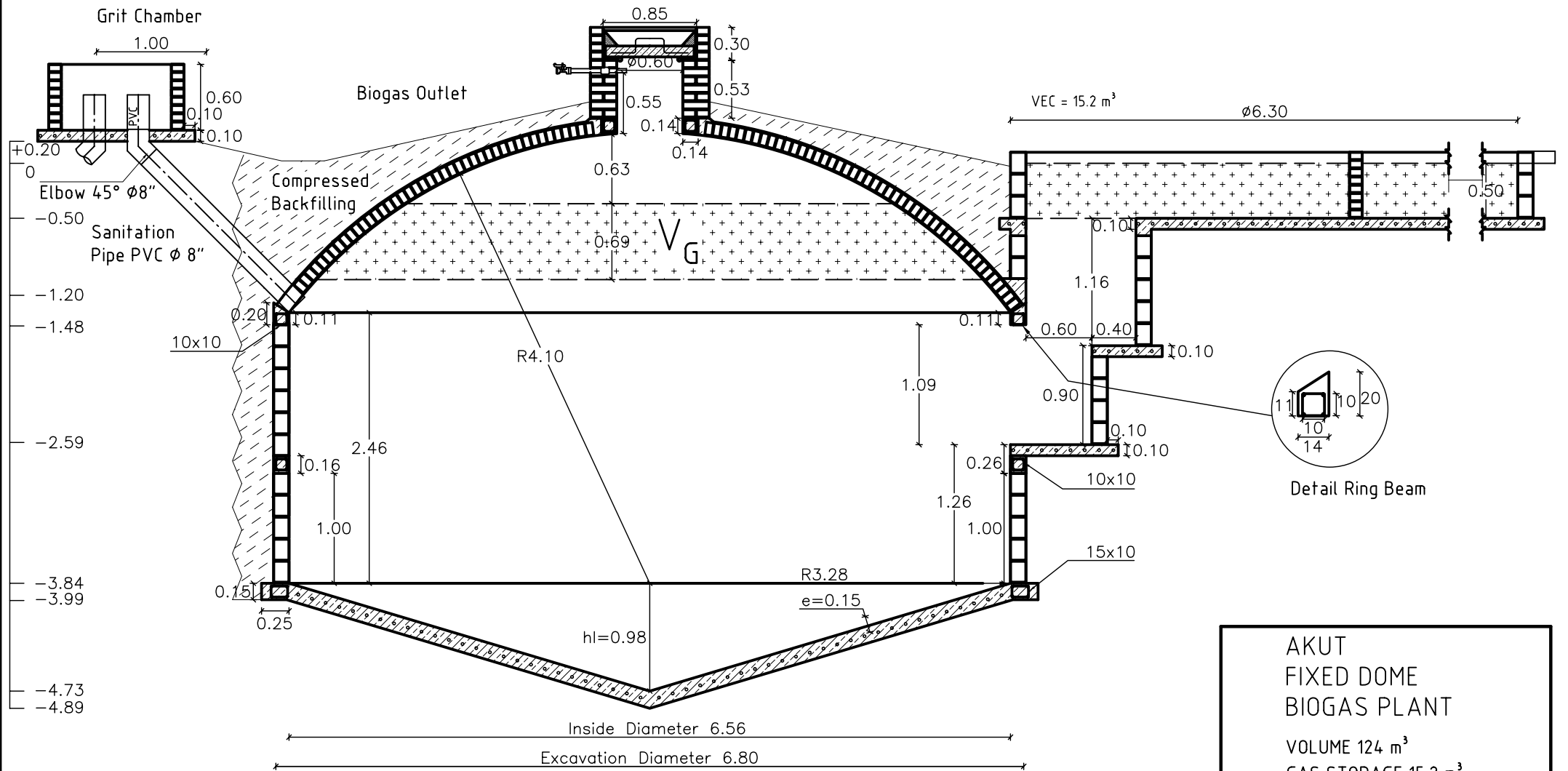
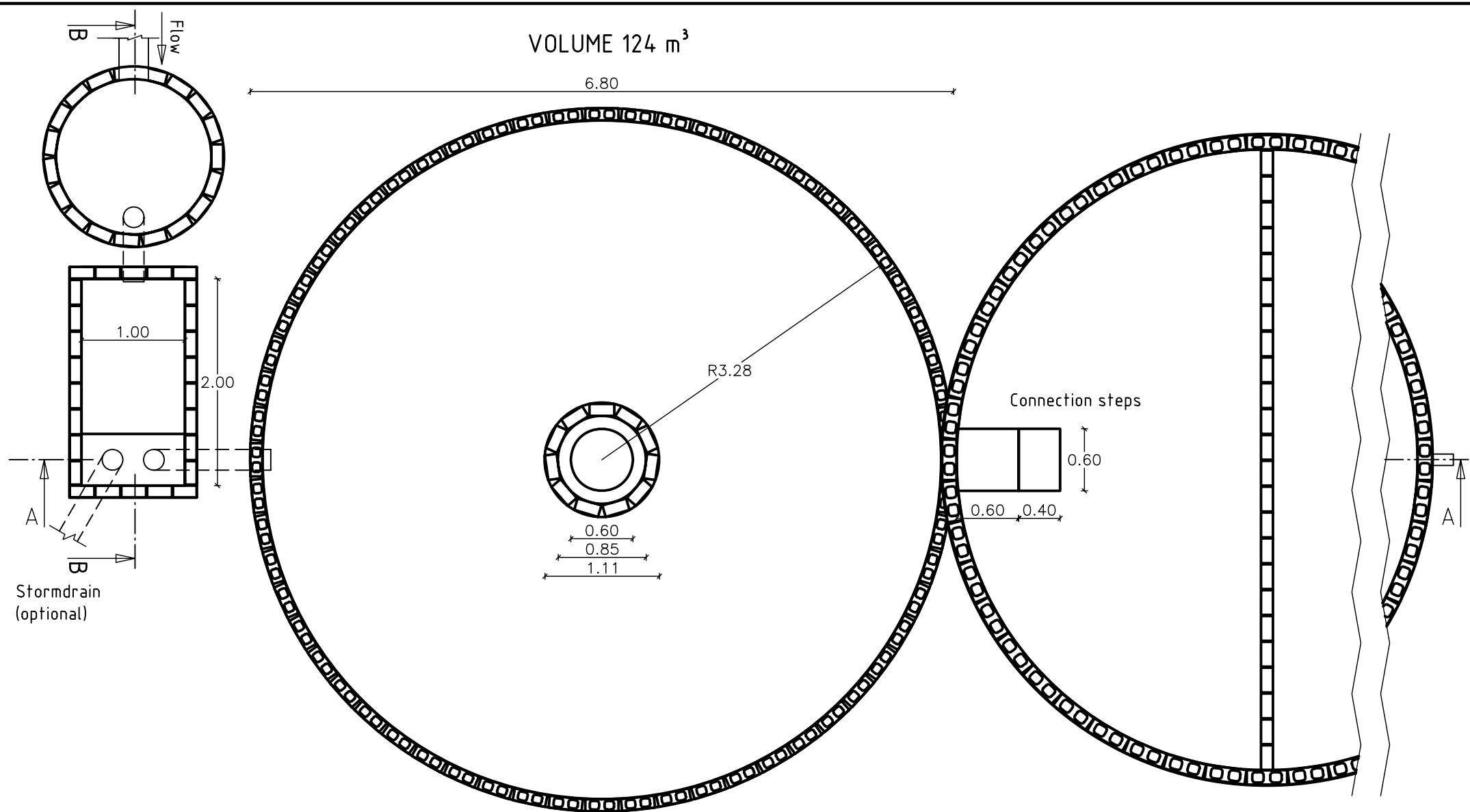


VOLUME 124 m<sup>3</sup>

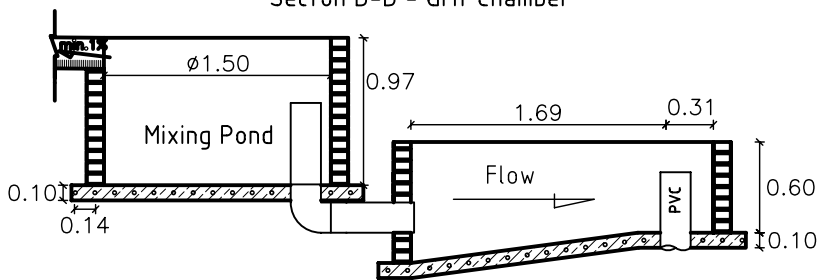


AKUT  
FIXED DOME  
BIOGAS PLANT  
VOLUME 124 m<sup>3</sup>  
GAS STORAGE 15.2 m<sup>3</sup>  
MEASUREMENTS IN METER  
SCALE 1:50



TOP VIEW

Section B-B - Grit Chamber



AKUT  
FIXED DOME  
BIOGAS PLANT

VOLUME 124 m<sup>3</sup>  
GAS STORAGE 15.2 m<sup>3</sup>  
MEASUREMENTS IN METER  
SCALE 1:50

124M3 MATERIAL LIST					
NO	MATERIAL DESCRIPTION	QTY	UNIT	RATE	AMOUNT
1	Site surveying	2	persons		
2	Cement-50 kg	125	bags		
3	Water proof cement-1kg	40	bags		
4	Blocks-390x190x140mm	1100	pcs		
5	Bricks-240x110x90mm	2200	pcs		
6	Sand	20	tonnes		
7	Ballast-25mm-1"	15	tonnes		
8	Square twisted bar-Y8	25	length		
9	Round Bars-R6	22	length		
10	Binding wire	20	kg		
11	Timber-2"x2"	8	Rm		
12	Timber-3"x2"	100	Rm		
13	Timber-6"x1"	110	Rm		
14	Plywood-3mm	6	sheet		
15	Nails-4"	3	kg		
16	Nails-3"	3	kg		
17	Nails-2"	1	kg		
18	GI pipe-1.5"	1	length		
19	Paint brush-6"	3	pcs		
20	Wire brush	2	pcs		
21	PVC Pipe 8"-Sanitation	1	length		
22	PVC Elbow 8"-45° Sanitation	2	pcs		
23	PVC Elbow 8"-90° Sanitation	2	pcs		

